

Aluminum Housed Wirewound Resistor - AH Series



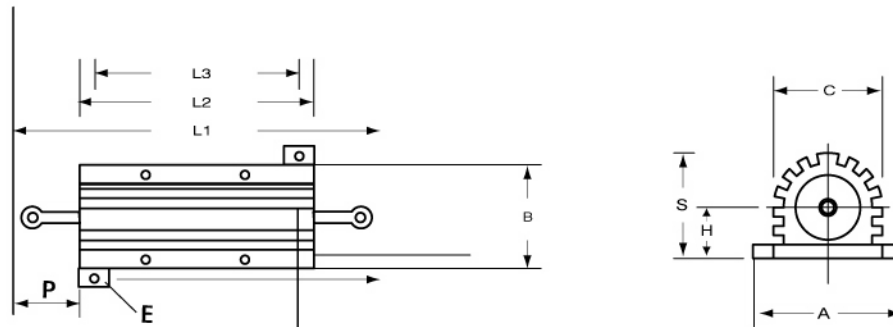
FEATURE:

- High power rating, small size and ultra precision.
- Standard winding & non-inductive winding types.
- High stability, strong construction.
- Suitable for vehical

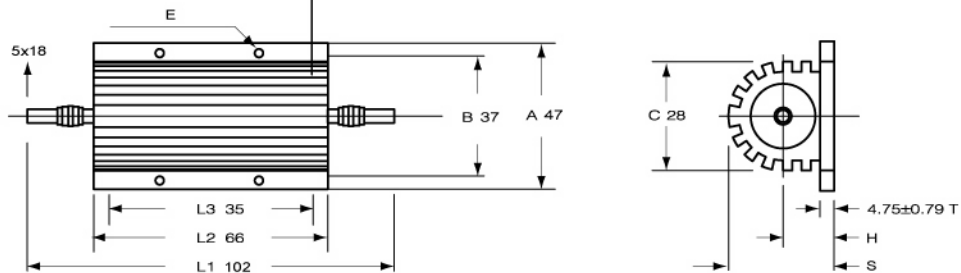
GENERAL SPEC:

- Wattage Range: 6 styles to choose ranging from 5 to 250 watts.
- Resistance Tolerance: 10%, 5%, 3%, 2%, 1%, 0.5%
- Operating Temperature Range: -55% to +275
- Dielectric Strength: AH-5 AH-10 AH-25 1000V AH-50 1500V AH-100 AH-250 2500V
- Temperature Coefficient of Resistance: Standard T.C.: $\pm 30\text{PPM}/^{\circ}\text{C} = 10\Omega$ and up, $\pm 50\text{PPM}/^{\circ}\text{C} = 1$ to 9.99Ω , $\pm 90\text{PPM}/^{\circ}\text{C} = \text{below } 1\Omega$

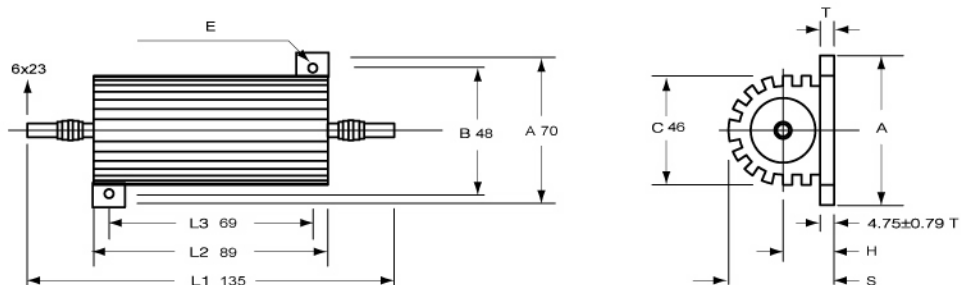
**AH-5W
AH-10W
AH-25W
AH-50W**



**AH-80W
AH-100WS**



AH-100W



**AH-200W
AH-250W
AH-300W**

